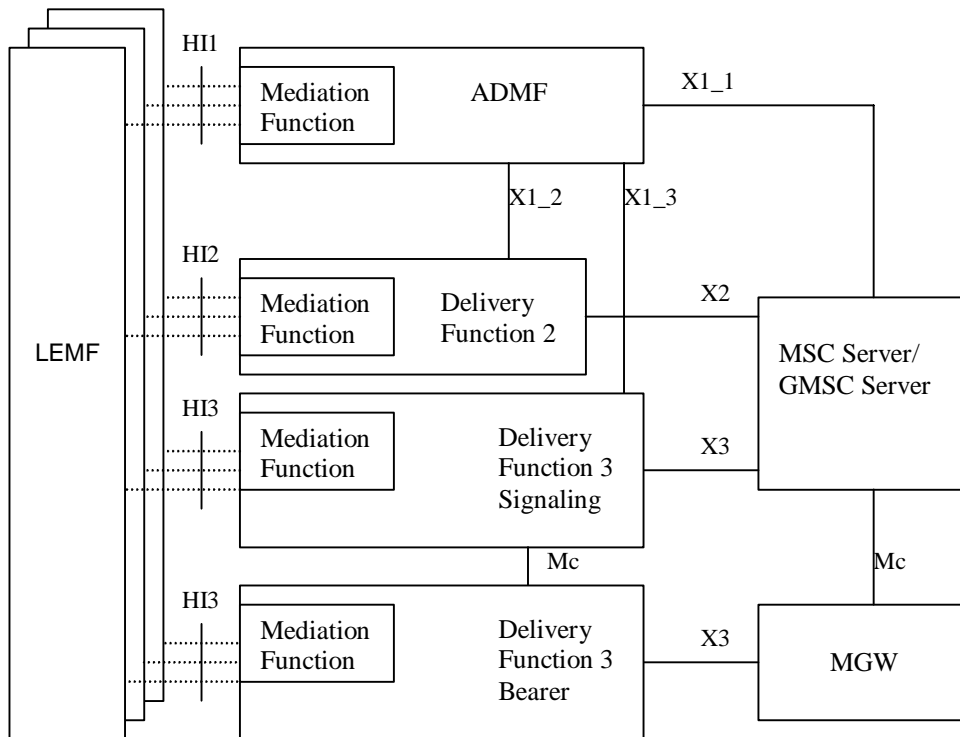
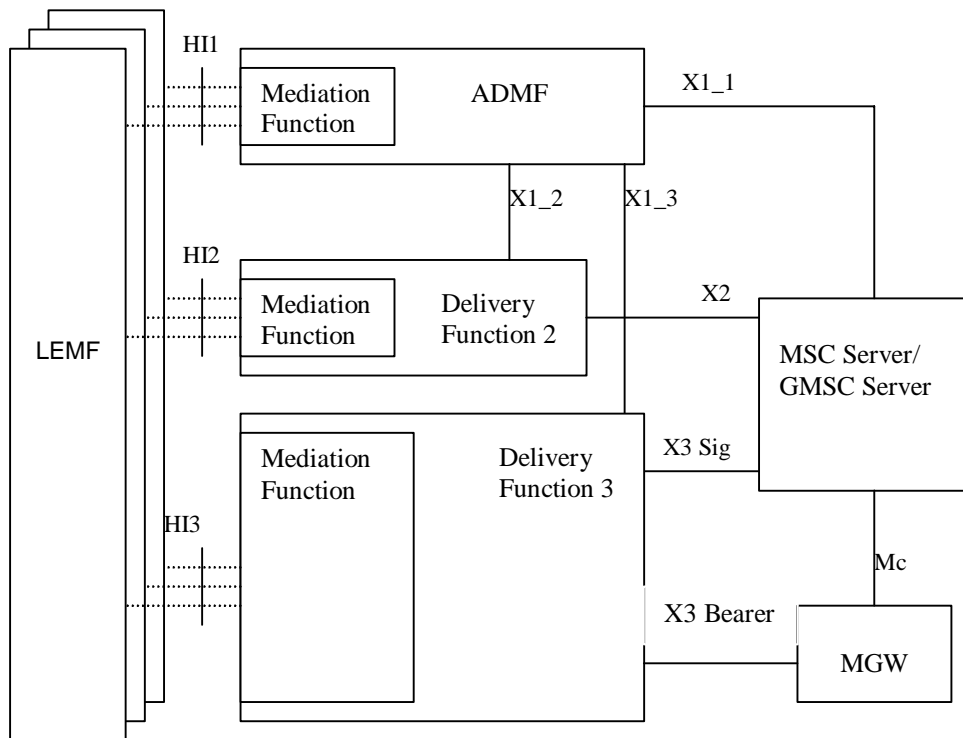


Source: Siemens
Title: DF3 in 3G networks
Document for: Discussion
Agenda Item:



Variant a)



Variant b)

DF3 is splitted in 2 parts which are responsible for:

- Call Control (Signaling) for the intercepted product and
- Bearer Transport for the intercepted product.

H13 is the interface towards the LEMF. It must be able to handle the signaling and the bearer transport for the intercepted product. LEMF can be located within the 3G network or can be in any other network.